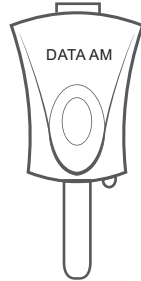


PARTS

ANTENNA



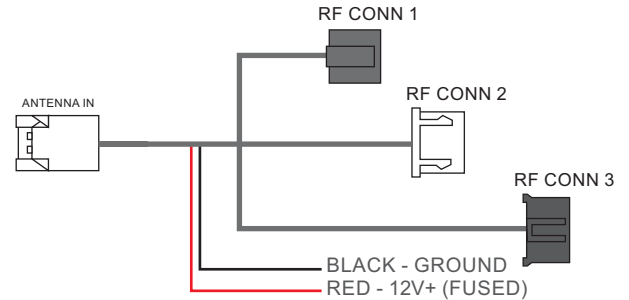
REMOTES



x2

REMOTES MAY BE DIFFERENT THAN PICTURED

DAC-ADPT



PROGRAMMING

DATA PROTOCOL SELECTION

With the Antenna plugged in and powered up:

1. Leave Ignition in OFF position
2. Press programming button (antenna button) 8x within 10 seconds (White LED will flash 2x)
3. Choose your protocol below by pressing the programming button:
 TYPE 1 - Press 2x - ULTRA RF (Default)
 TYPE 2 - Press 4x - iDatalink RF
 TYPE 3 - Press 6x - Fortin RF
 TYPE 4 - Press 8x - D2D
 TYPE 5 - Press 10x - Future Use
4. After 3 seconds White LED will flash the number of times according to your selection.

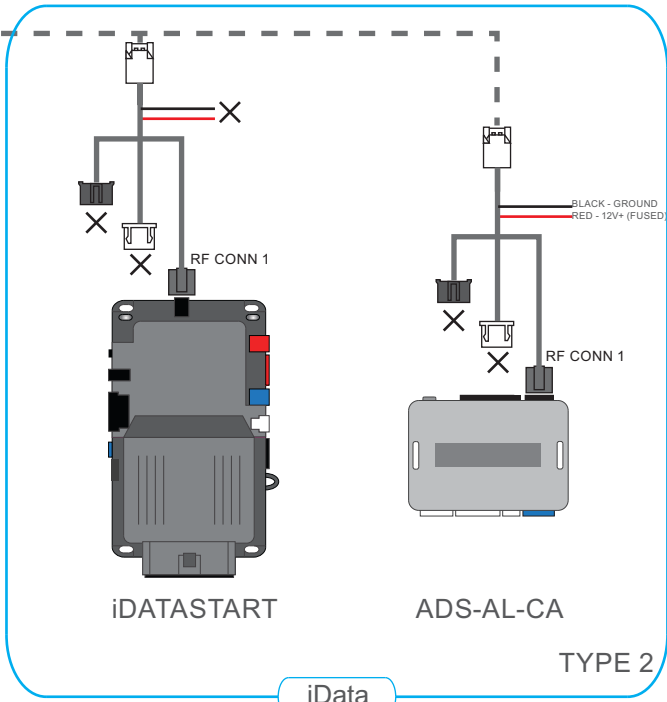
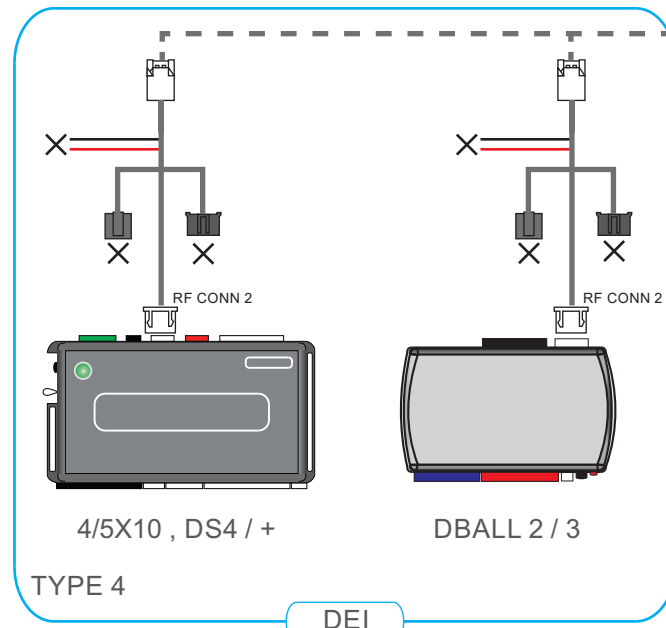
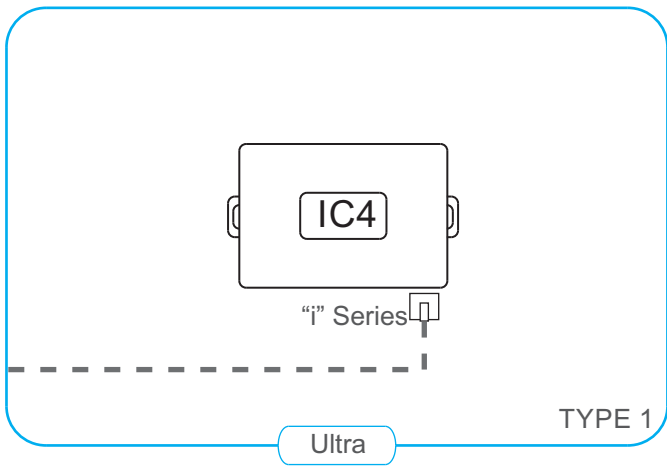
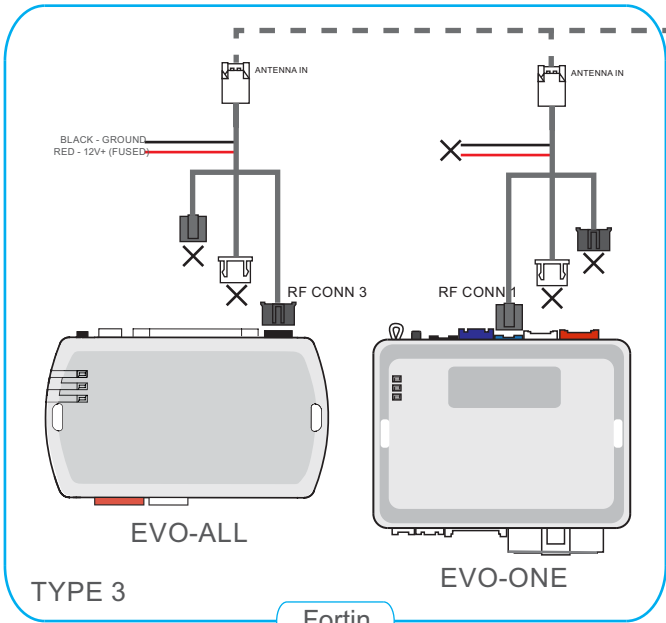
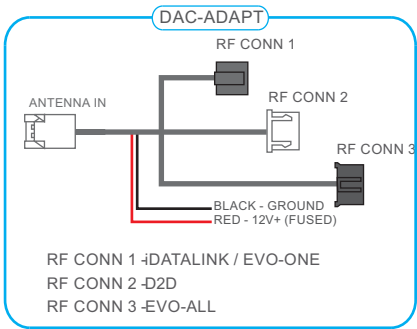
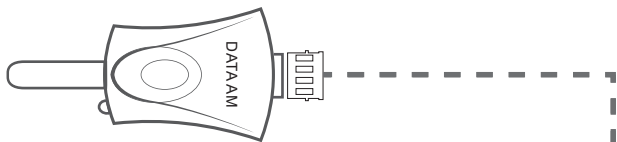
REMOTE PROGRAMMING

REMOTE PROGRAMMING - ONLY REQUIRED FOR D2D

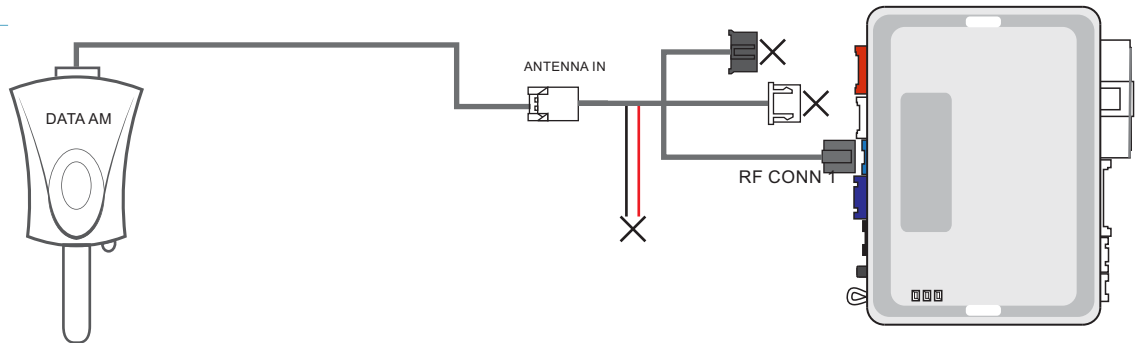
Follow the "Remote Programming Procedure" from the manufactures programming instructions. Visit the appropriate website or download the "RFK4BAM Full Guide" at www.ultrastarters.com

For Devices that do not have a remote coding procedure follow the procedure below.

STEP 1	STEP 2	STEP 3	STEP 4	STEP 5
<p>Turn the Ignition ON then OFF 2x leaving it in the ON position at the 2nd time.</p>	<p>Press and release the programming button on the antenna 2 times. The LED will flash 1x then 2x.</p>	<p>Press and hold for 3 seconds until LED flashes turns on solid. Release programming button.</p>	<p>Press the button on each transmitter. LED on antenna will flash 1x for each remote programmed.</p>	<p>Turn the Ignition OFF to exit programming.</p>



CONNECTIONS









PROGRAMMING MODULE

DATA PROTOCOL : TYPE 3 - Fortin RF

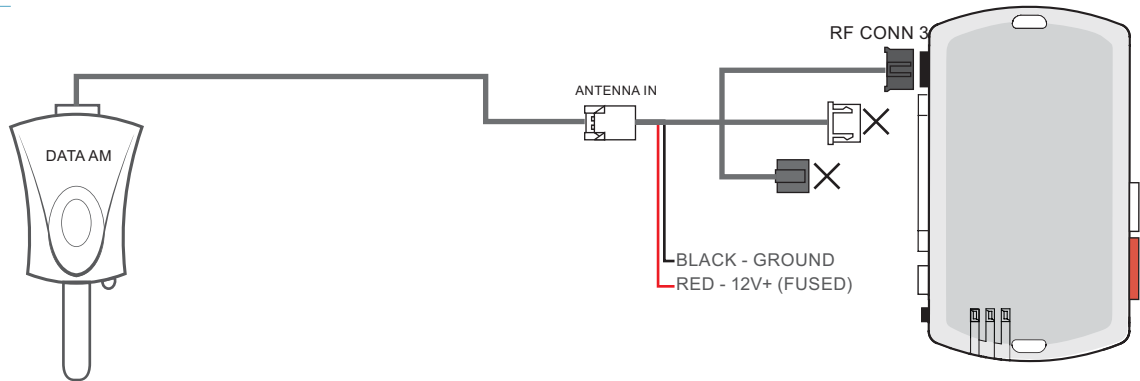
1. Run Flashlink Manager, plug in EVO-ONE
2. Click Toggle to switch to Remote Starter Connection
3. Click Configuration, then select Options
4. Under RF Kits select Fortin 2 / Solace / Autoconnect
5. Click on "SAVE"

PROGRAMMING

PROGRAMMING REMOTES

STEP 1	STEP 2	STEP 3	STEP 4	STEP 5	STEP 6
					
<p>Turn the Ignition ON.</p>	<p>Press and hold the valet switch until the parking light turn ON, the horn/siren will chirp once.</p>	<p>Press and release the valet switch five times. The parking lights will flash and the horn/siren will chirp each time to confirm.</p>	<p>Press and release the brake pedal once</p>	<p>On each transmitter press lock button. The LED will stop flashing confirming programming</p>	<p>Turn the Ignition OFF to exit programming</p>

CONNECTIONS





PROGRAMMING MODULE

DATA PROTOCOL : TYPE 3 - Fortin RF

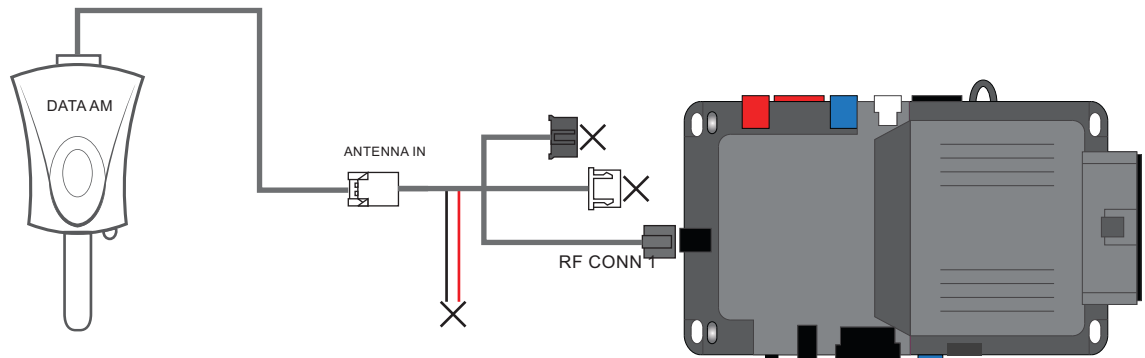
1. Run FlashLink Manager, plug in EVO-ALL
2. Click on "EVO-ALL OPTIONS" Tab
3. Activate "SUPPORTED RF KITS" and Option "H2"
4. Click on "SAVE OPTIONS"
5. Wait for "Options Saved" message to appear.

PROGRAMMING

PROGRAMMING REMOTES

STEP 1	STEP 2	STEP 3	STEP 4	STEP 5	STEP 6
 <p>Hold down programming button on EVO-ALL while inserting Datalink Cable. Release on BLUE & RED</p>	 <p>Press and hold the programming button, release button when the Blue and Red LED's turn back on</p>	 <p>Turn the Ignition ON.</p>	 <p>The Yellow LED will turn on</p>	 <p>On each transmitter press the lock button. The Blue and Red LED's on EVO-ALL will flash confirming programming.</p>	 <p>Turn the Ignition OFF to exit programming</p>

CONNECTIONS



PROGRAMMING MODULE

DATA PROTOCOL : TYPE 2 - iDATALINK RF

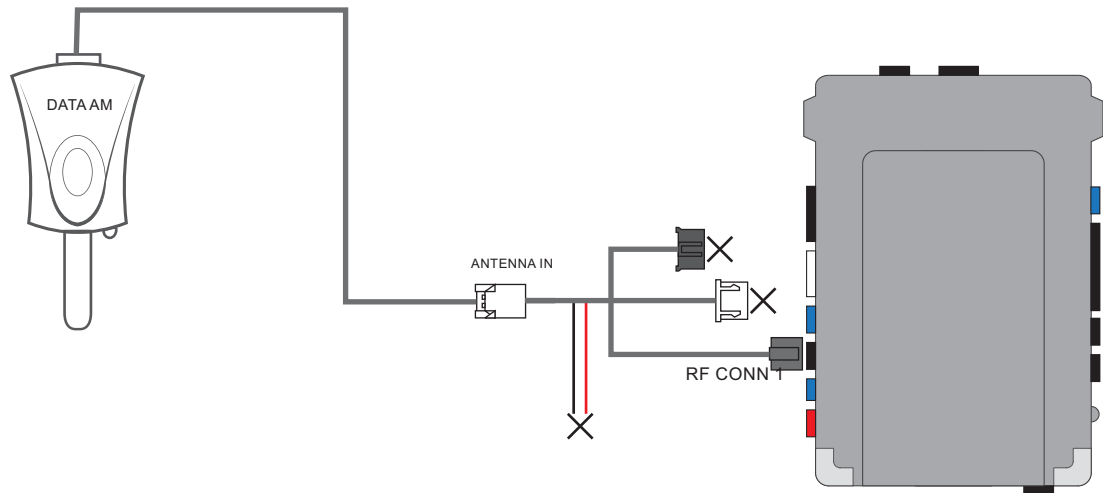
- 1Open "Weblink Program"
- 2Choose Year / Make / Model
- 3Select Connected RF & MY-Start
- 4Configure module and Flash firmware

PROGRAMMING

PROGRAMMING REMOTES

STEP 1	STEP 2	STEP 3	STEP 4	STEP 5
 <p>Turn the Ignition ON then OFF 5x leaving it in the on position at the 5th time.</p>	 <p>The Red LED will turn on.</p>	 <p>Press Lock on each transmitter to be programmed.</p>	 <p>The LED will flash Green for each remote programmed.</p>	 <p>Turn the Ignition OFF to exit programming.</p>

CONNECTIONS



PROGRAMMING MODULE

DATA PROTOCOL : TYPE 2 - iDATA LINK RF

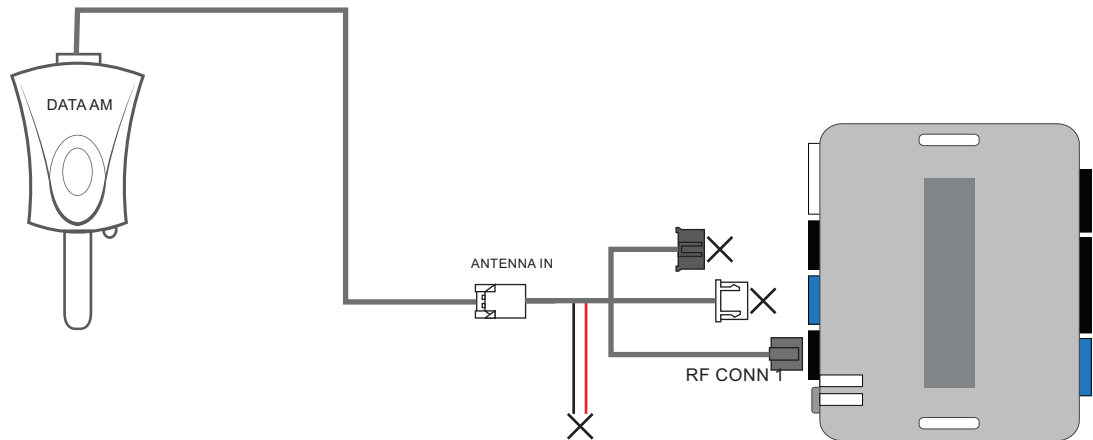
1. Open "Weblink Program"
2. Choose Year / Make / Model
3. Select Connected RF & MY-Start
4. Configure module and Flash firmware

PROGRAMMING

PROGRAMMING REMOTES

STEP 1	STEP 2	STEP 3	STEP 4	STEP 5
 <p>Turn the Ignition ON then OFF 5x leaving it in the ON position at the 5th time.</p>	 <p>The Red LED will turn ON.</p>	 <p>Press Lock on each remote to be programmed.</p>	 <p>The LED will flash Green for each remote programmed.</p>	 <p>Turn the Ignition OFF to exit programming.</p>

CONNECTIONS





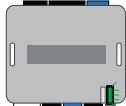

PROGRAMMING MODULE

DATA PROTOCOL : TYPE 2 - iDATALINK RF

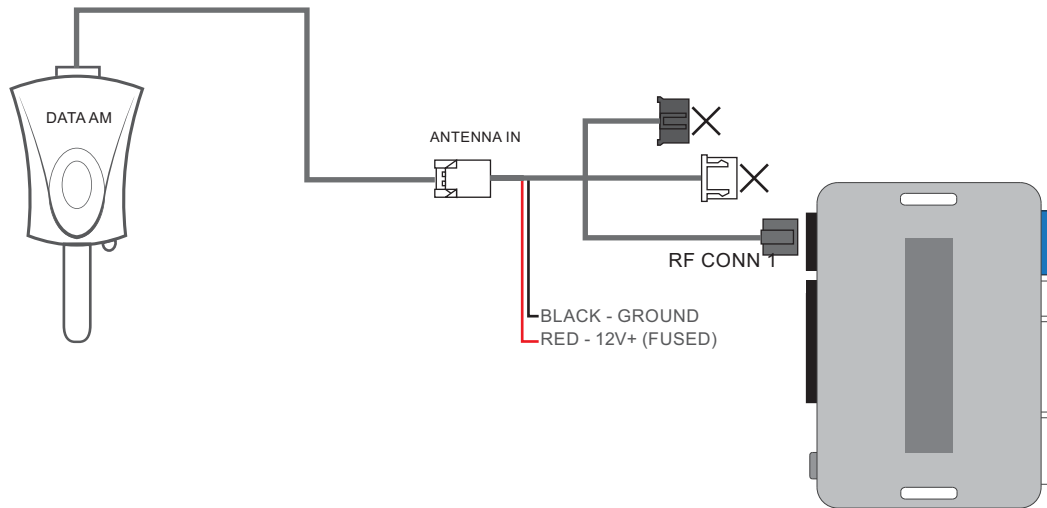
1. Open "Weblink Program"
2. Choose Year / Make / Model
3. Select Connected RF & MY-Start
4. Configure module and Flash firmware

PROGRAMMING

PROGRAMMING REMOTES

<p>STEP 1</p>  <p>Turn the Ignition ON then OFF 5x leaving it in the ON position at the 5th time.</p>	<p>STEP 2</p>  <p>The Red LED will turn ON.</p>	<p>STEP 3</p>  <p>Press Lock on each remote to be programmed.</p>	<p>STEP 4</p>  <p>The LED will flash Green for each remote programmed.</p>	<p>STEP 5</p>  <p>Turn the Ignition OFF to exit programming.</p>
---	---	---	--	--

CONNECTIONS



PROGRAMMING MODULE

DATA PROTOCOL : TYPE 2 - iDATALINK RF

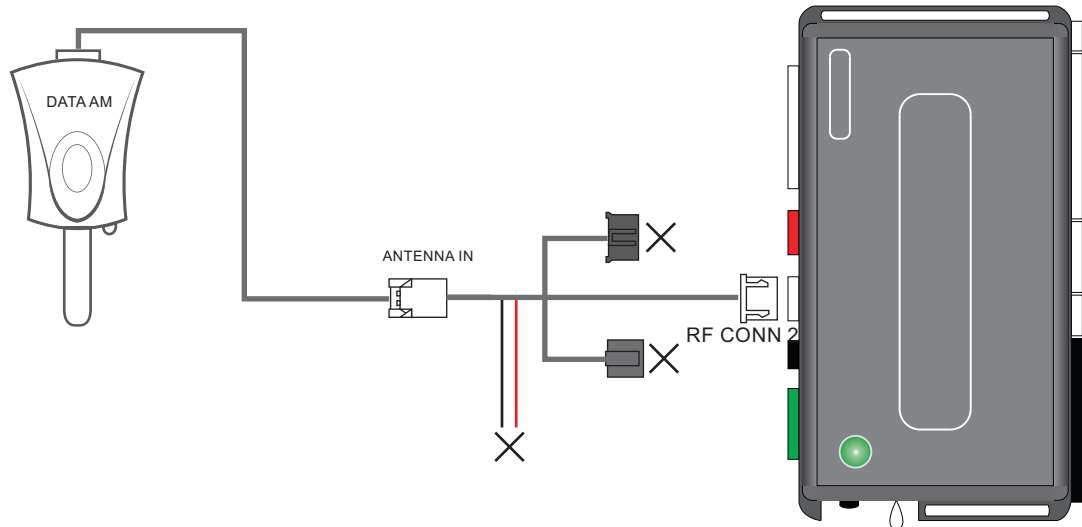
1. Open "Weblink Program"
2. Choose Year / Make / Model
3. Select Select Connected RF & MY-Start
4. Configure module and Flash firmware

PROGRAMMING

PROGRAMMING REMOTES

STEP 1	STEP 2	STEP 3	STEP 4	STEP 5
 <p>Turn the Ignition ON then OFF 5x leaving it in the ON position at the 5th time.</p>	 <p>The Red LED will turn ON.</p>	 <p>Press Lock on each remote to be programmed.</p>	 <p>The LED will flash Green for each remote programmed.</p>	 <p>Turn the Ignition OFF to exit programming.</p>

CONNECTIONS



PROGRAMMING MODULE

DATA PROTOCOL : TYPE 4 - D2D

1. Open "XK Loader"
2. Choose Year / Make / Model
3. Configure Module features
4. Enable "SMART START" without RF
5. Flash Firmware

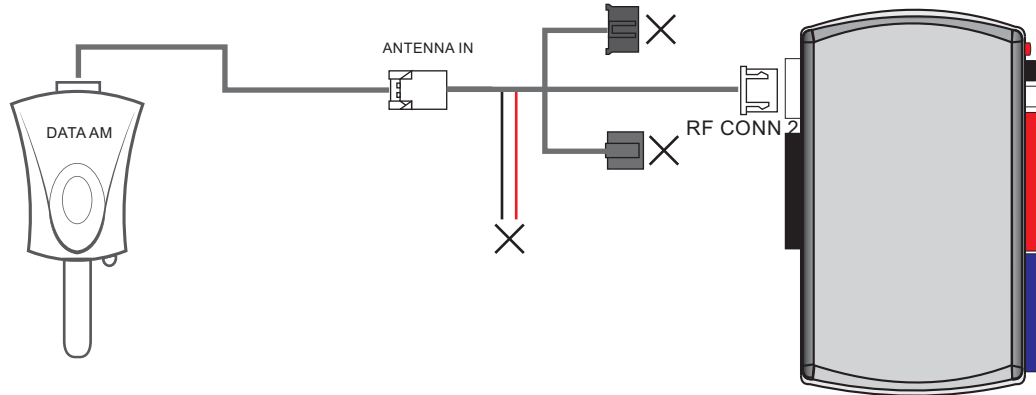
PROGRAMMING

PROGRAMMING REMOTES

1. Follow programming guide to program remotes.
2. There is no other programming required for operation.

STEP 1	STEP 2	STEP 3	STEP 4	STEP 5
<p>Turn the Ignition ON then OFF 2x leaving it in the ON position at the 2nd time.</p>	<p>Press and release the programming button on the antenna 2 times. The LED will flash 1x then 2x.</p>	<p>Press and hold for 3 seconds until LED flashes turns on solid. Release programming button.</p>	<p>Press the button on each transmitter. LED on antenna will flash 1x for each remote programmed.</p>	<p>Turn the Ignition OFF to exit programming.</p>

CONNECTIONS



PROGRAMMING MODULE


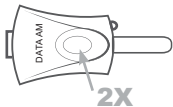
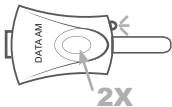


DATA PROTOCOL : TYPE 4 - D2D

1. Open "XK Loader"
2. Choose Year / Make / Model
3. Configure Module features
4. Enable "SMART START" without RF
5. Flash Firmware

PROGRAMMING

PROGRAMMING REMOTES

1. Follow programming guide to program remotes to LoRa Data
2. There is no other programming required for operation.

STEP 1	STEP 2	STEP 3	STEP 4	STEP 5
				
<p>Turn the Ignition ON then OFF 2x leaving it in the ON position at the 2nd time.</p>	<p>Press and release the programming button on the antenna 2 times. The LED will flash 1x then 2x.</p>	<p>Press and hold for 3 seconds until LED flashes turns on solid. Release programming button.</p>	<p>Press the button on each transmitter. LED on antenna will flash 1x for each remote programmed.</p>	<p>Turn the Ignition OFF to exit programming.</p>